

CODE 050.06.XX.XX.X.X.X

PRODUCT DESCRIPTION

DESCRIPTION	REAR MOUNT MINI LED ACCENT LIGHT
CATEGORY	IP20 INTERIOR USE ONLY
MATERIAL	MACHINED ALUMINIUM
FINISH	BRUSHED ALUMINIUM BLACK WHITE CUSTOM
GEAR TYPE	1-10V DALI PHASE
ACCESSORIES	HONEYCOMB FROSTED LINEAR SPREAD COLOUR
ROTATION	340° PAN 90° TILT
WEIGHT	0.28KG

LIGHT ENGINE

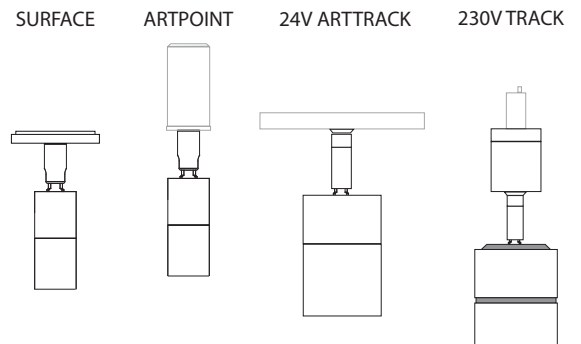
POWER	6W
CURRENT	350mA
LUMENS	430lm
COLOUR RENDERING	96CRI TYPICAL
COLOUR TEMP.	2700K 3000K 4000K (ON REQUEST)
BEAM DISTRIBUTION	12° 22° 34°
LAMP LIFE	50,000hrs

EXAMPLE CODE



LUMINAIRE TYPE	POWER	COLOUR TEMP	DISTRIBUTION	ARM TYPE	FINISH	DIMMING PROTOCOL
050 - ZEROFIFTY	06 - 6W	27 - 2700K (STANDARD) 30 - 3000K 40 - 4000K (CUSTOM)	01 - 12° 02 - 22° 03 - 34°	1 - 230V TRACK 2 - SURFACE PLATE 3 - ARTPOINT 4 - 24V ART TRACK 5 - BUSH C - CUSTOM	0 - NO COLOUR SPEC 1 - WHITE 9010 2 - BLACK 9005 3 - BRUSHED ALU 5 - ANT. BRONZE PLATED C - CUSTOM	0 - NO SPEC 1 - LOCAL DIM (STANDARD) 2 - PHASE 3 - 0-10V/1-10V 4 - DALI

MOUNTING OPTIONS



ACCESSORIES

