



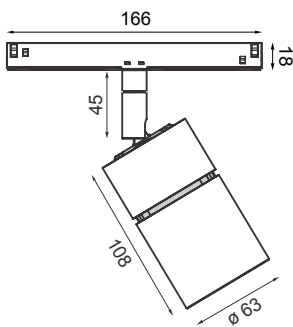
## PRODUCT DESCRIPTION

<b>DESCRIPTION</b>	LOW VOLTAGE TRACK MOUNTED LED ACCENT LIGHT
<b>CATEGORY</b>	IP20 - INTERIOR USE ONLY
<b>MATERIAL</b>	MACHINED ALUMINIUM
<b>FINISH</b>	WHITE   BLACK   BRUSHED ALUMINIUM   CUSTOM
<b>ADAPTOR FINISH</b>	WHITE   BLACK
<b>DIMMING</b>	1-10V   DALI   LOCAL DIM (INTEGRAL)
<b>POWER SUPPLY</b>	REMOTE 48V CONSTANT VOLTAGE
<b>ACCESSORIES</b>	HONEYCOMB   FROSTED   COLOUR
<b>ROTATION</b>	340° PAN   90° TILT
<b>WEIGHT</b>	0.50KG

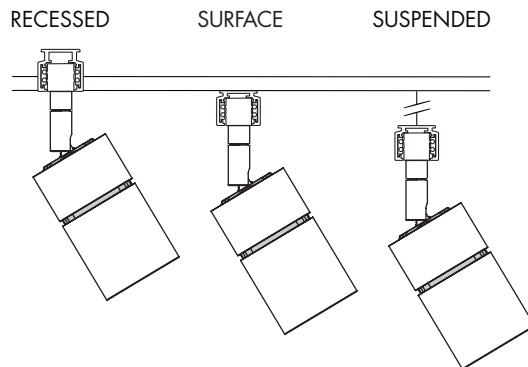
## LIGHT ENGINE

<b>POWER</b>	16W
<b>VOLTAGE</b>	48V CONSTANT VOLTAGE
<b>LUMENS</b>	900lm
<b>COLOUR RENDERING</b>	96CRI typical
<b>COLOUR TEMP.</b>	2700K (std.)   3000K   4000K (on request)
<b>BEAM DISTRIBUTION</b>	FMHW 12°   35°   51°
<b>LAMP LIFE</b>	50,000hrs

## DIMENSIONS



## TRACK OPTIONS



## ACCESSORIES



## PRODUCT CODE 060.16.X.XX.XX.XX.X

LUMINAIRE TYPE	POWER	FINISH	COLOUR TEMP	DISTRIBUTION	MOUNTING	DIMMING PROTOCOL
060. ZEROSIXTY	16. 16W	1. WHITE 9010 2. BLACK 9005 3. BRUSHED ALU 5. ANTIQUE BRONZE C. CUSTOM	27. 2700K (std.) 30. 3000K 40. 4000K (custom)	01. 12° 03. 35° 05. 51°	04. 48V TRACK *Refer to LV Track specification sheet for mounting options	1. 0-10V/1-10V (std.) 2. DALI 4. LOCAL DIM (on request)