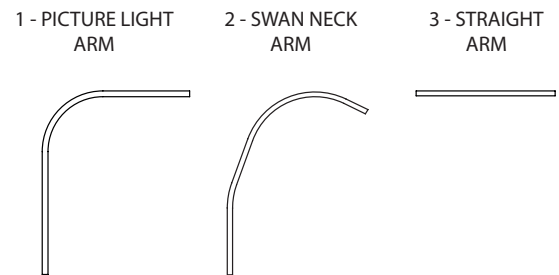


CODE	350.XX.X.XX.X.X.X.X
PRODUCT DESCRIPTION	
DESCRIPTION	LED PICTURE LIGHT - CLASSIC STYLE
CATEGORY	IP20 INTERIOR USE ONLY
MATERIAL	MACHINED ALUMINIUM
FINISH	WHITE BLACK ALU GOLD BRONZE CUSTOM
GEAR TYPE	1-10V DALI PHASE
ACCESSORIES	GLARE LOUVER
ROTATION	60° TILT

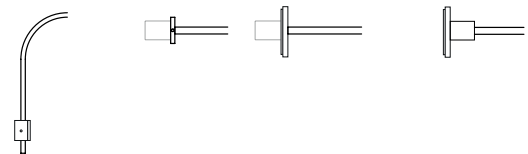
ARM TYPE



LIGHT ENGINE	
POWER	AS DETAILED BELOW
LUMENS	87 lm/W 3000K 80lm/W 2700K
COLOUR RENDERING	96CRI TYPICAL
COLOUR TEMP.	2700K (STANDARD) 3000K 4000K (ON REQUEST)
BEAM DISTRIBUTION	PICTURE WASH
LAMP LIFE	50,000hrs

PICTURE LIGHT ARM MOUNTING

STANDARD	ALTERNATIVE MOUNTING OPTIONS		
5 - PICTURE LIGHT BRACKET	6 - JOINERY BUSH	8 - SURFACE BUSH ROUND	10 - PICTURE LIGHT SURFACE PLATE



EXAMPLE CODE

350	40	4	27	2	1	5	1
LUMINAIRE TYPE	LENGTH	FINISH	COLOUR TEMP	ARM LENGTH	ARM TYPE	MOUNTING	DIMMING PROTOCOL
350 - TM CLASSIC	10 - 100MM (2.3W) 25 - 250MM (4.5W) 40 - 400MM (6.7W) 55 - 550MM (9.0W) 70 - 700MM (11.2W) 85 - 850MM (13.5W) 100 - 1000MM (15.7W) 115 - 1150MM (17.9W) 130 - 1300MM (20.2W) 145 - 1450MM (22.4W)	1 - WHITE 9010 2 - BLACK 9005 3 - BRUSHED ALU 4 - GOLD P/C 5 - ANT. BRONZE PLATE 6 - BRONZE P/C C - CUSTOM	27 - 2700K (STANDARD) 30 - 3000K 40 - 4000K (CUSTOM)	1 - 150MM 2 - 200MM 3 - 250MM 4 - 300MM 5 - 350MM 6 - 400MM 7 - 450MM	1 - PICTURE LIGHT 2 - SWAN NECK 3 - STRAIGHT C - CUSTOM	5 - PICTURE LIGHT BRACKET (STANDARD) 6 - JOINERY BUSH 8 - SURFACE BUSH ROUND 9 - SURFACE BUSH SQUARE 10 - PICTURE LIGHT SURFACE PLATE C - CUSTOM	1 - LOCAL DIM (STANDARD) 2 - PHASE 3 - 0-10V/1-10V 4 - DALI

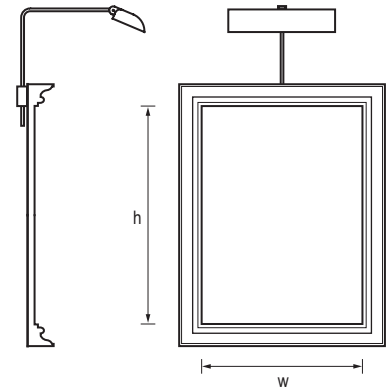
HEAD TYPE - Based on canvas width (w)

TYPE	CANVAS WIDTH	HEAD LENGTH
01	Up to 250	100
02	250-450	250
03	450-600	400
04	600-750	550
05	750-900	700
06	900-1100	850
07	1050-1200	1000
08	1200-1350	1150
09	1350-1500	1300
10	1500-1700	1450

Dimensions in mm

ARM TYPE - Based on canvas height (h)

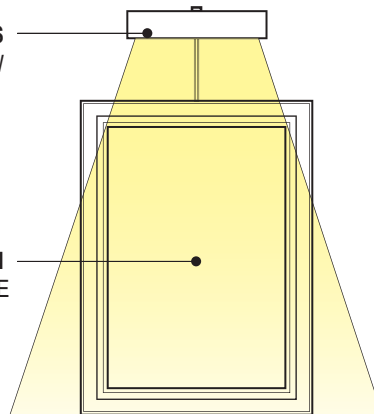
TYPE	CANVAS HEIGHT	
01	Up to 500	150
02	500-1000	200
03	1000-1500	250
04	1500-2000	300
05	2000-2500	350
06	2500-3000	400
07	3000	450



PRODUCT BENEFITS

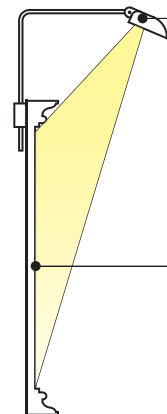
ENERGY SAVINGS
1W - 22W CONSUMPTION Vs 30-150W

EXCELLENT LIGHT DISTRIBUTION
3:1 RATIO, LOUVRES, DIMMABLE



BRITISH DESIGN
MINIMAL PROFILE
VARIETY OF LENGTHS + FINISHES

ARTWORK CONSERVATION
NO UV, IR OR FORWARD HEAT



COLOUR RENDERING

Typical R values 2700K at 700mA. 25°C ambient.

R1	R2	R3	R4	R5	R6	R7	R8	R9	R10	R11	R12	R13	R14	R15	Ra
96	99	94	92	96	98	96	97	98	98	90	96	97	95	97	96

RELATIVE SPECTRAL EMISSION

