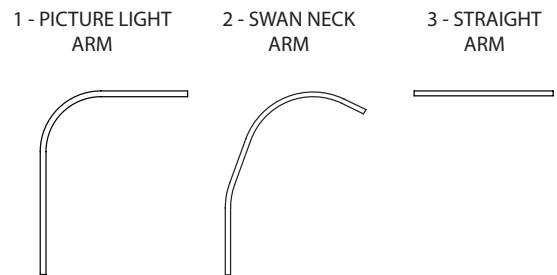


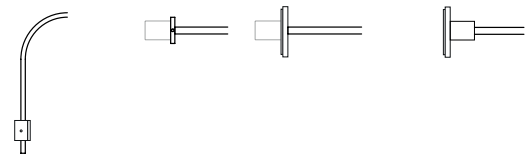
CODE	390.XX.X.XX.X.X.X.X
PRODUCT DESCRIPTION	
DESCRIPTION	MINI LED PICTURE LIGHT - PRO VERSION
CATEGORY	IP20 INTERIOR USE ONLY
MATERIAL	MACHINED ALUMINIUM
FINISH	ANODISED: BLACK BRONZE GOLD BRUSHED ALUMINIUM. PLATED: POLISHED NICKEL BRUSHED BRASS ANTIQUE BRONZE
GEAR TYPE	1-10V DALI PHASE
ROTATION	60° TILT
LIGHT ENGINE	
POWER	REFER TO PRODUCT LENGTHS
LUMENS	87 lm/W 3000K 80lm/W 2700K
COLOUR RENDERING	96 Ra TYPICAL
COLOUR TEMP.	2700K 3000K 4000K (ON REQUEST)
BEAM DISTRIBUTION	PICTURE WASH
LAMP LIFE	50,000hrs - LM70

ARM TYPE



PICTURE LIGHT ARM MOUNTING

STANDARD	ALTERNATIVE MOUNTING OPTIONS		
5 - PICTURE LIGHT BRACKET	6 - JOINERY BUSH	8 - SURFACE BUSH ROUND	10 - PICTURE LIGHT SURFACE PLATE



EXAMPLE CODE

390	•	40	•	4	•	27	•	2	•	1	•	5	•	1
LUMINAIRE TYPE		LENGTH		FINISH		COLOUR TEMP		ARM LENGTH		ARM TYPE		MOUNTING		DIMMING PROTOCOL
390 - TM SLIMLIGHT PRO		01 - 140mm 02 - 310mm 03 - 480mm 04 - 650mm 05 - 820mm 06 - 990mm 07 - 1160mm 08 - 1330mm 09 - 1500mm 10 - 1670mm 11 - 1840mm		3 - BRUSHED ALU 5 - ANT. BRONZE PLATE (STANDARD) ON REQUEST 9 - POLISHED BRASS 10 - POLISHED NICKEL 11 - BRUSHED NICKEL 12 - BLACK ANODISED 14 - BRONZE ANODISED C - CUSTOM		27 - 2700K (STANDARD) 30 - 3000K 40 - 4000K (CUSTOM)		1 - 150MM 2 - 200MM 3 - 250MM 4 - 300MM 5 - 350MM 6 - 400MM 7 - 450MM		1 - PICTURE LIGHT 2 - SWAN NECK 3 - STRAIGHT C - CUSTOM		5 - PICTURE LIGHT BRACKET (STANDARD) 6 - JOINERY BUSH 8 - SURFACE BUSH ROUND 9 - SURFACE BUSH SQUARE 10 - PICTURE LIGHT SURFACE PLATE C - CUSTOM		1 - LOCAL DIM (STANDARD) 2 - PHASE 3 - 0-10V/1-10V 4 - DALI

ARM CONFIGURATION

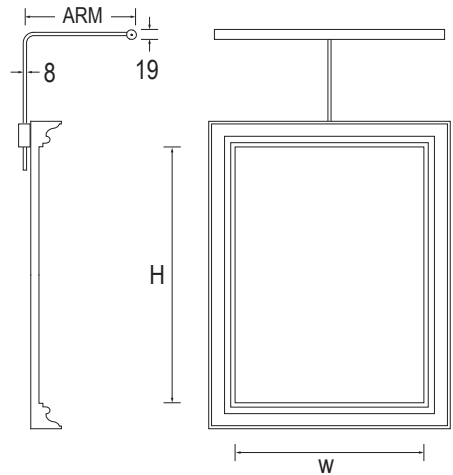
HEAD TYPE - Based on canvas width (w)

TYPE	CANVAS WIDTH	HEAD LENGTH
1	Up to 350	140
2	350-500	310
3	500-700	480
4	700-850	650
5	850-1000	820
6	1000-1200	990
7	1200-1350	1160
8	1350-1500	1330
9	1500-1700	1500
10	1700-1900	1670
11	1900-2100	1840

Dimensions in mm

ARM TYPE - Based on canvas height (h)

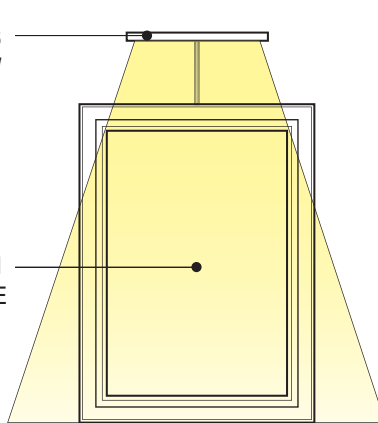
TYPE	CANVAS HEIGHT	ARM
1	Up to 500	150
2	500-1000	200
3	1000-2000	250
4	2000+	300



PRODUCT OVERVIEW

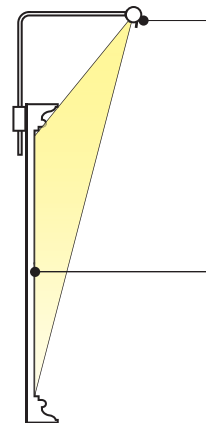
TYPICAL ENERGY SAVINGS
1W - 8W CONSUMPTION Vs 30-60W

EXCELLENT LIGHT DISTRIBUTION
3:1 RATIO, ADJUSTABLE, DIMMABLE



BRITISH DESIGN
MINIMAL PROFILE
VARIETY OF LENGTHS + FINISHES

ARTWORK CONSERVATION
NO UV, IR OR FORWARD HEAT

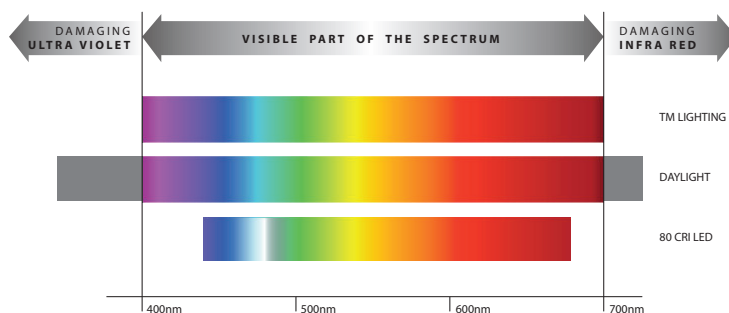


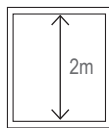
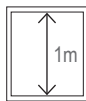
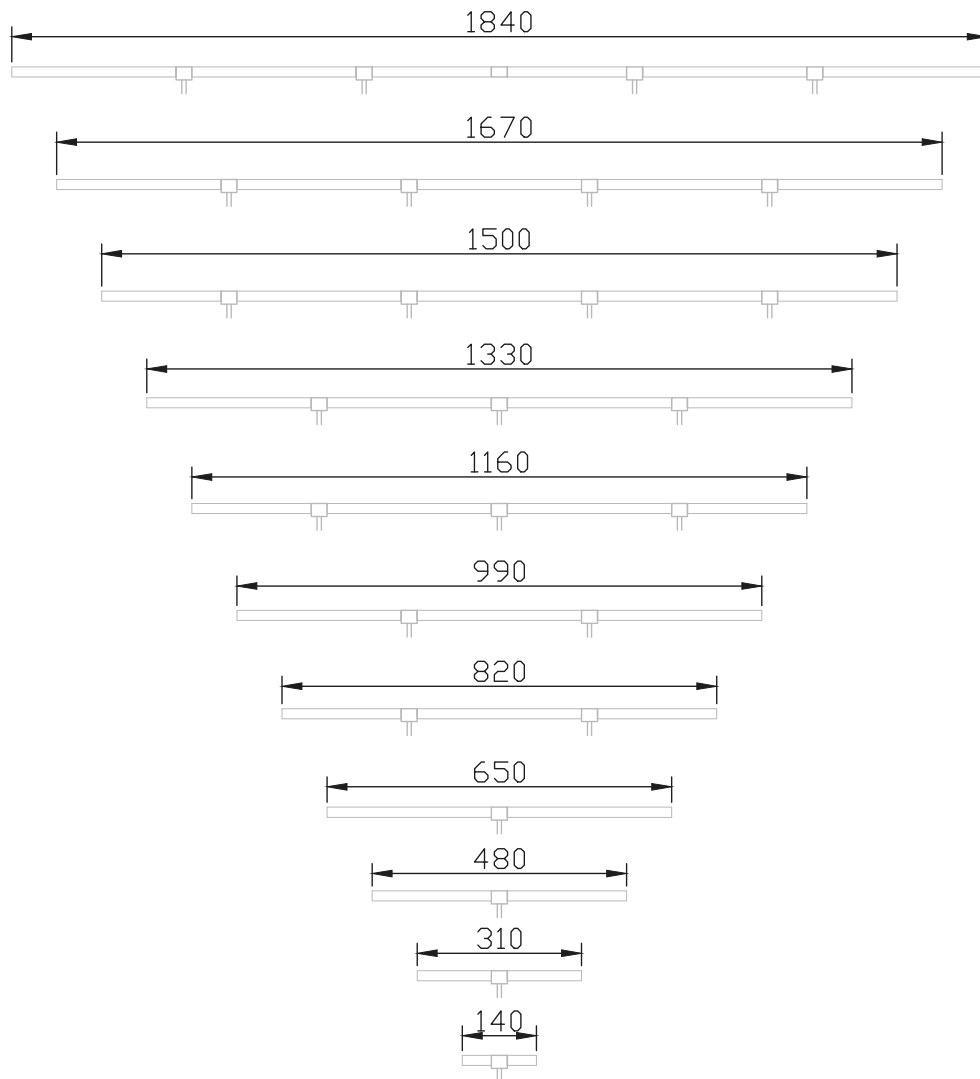
COLOUR RENDERING

Typical R values 2700K at 700mA. 25°C ambient.

R1	R2	R3	R4	R5	R6	R7	R8	R9	R10	R11	R12	R13	R14	R15	Ra
96	99	94	92	96	98	96	97	98	98	90	96	97	95	97	96

RELATIVE SPECTRAL EMISSION





WIDTH	SMALL FORMAT (350mA)	LARGE FORMAT (500mA)	FULL HEIGHT (700mA)	ARMS (QTY)	ARM CC (MM)
140mm	2.3W	3.3W	4.6W	1	CENTRE
310mm	4.7W	6.6W	9.3W	1	CENTRE
480mm	7.0W	9.9W	13.9W	1	CENTRE
650mm	9.3W	13.2W	18.5W	1	CENTRE
820mm	11.6W	16.5W	23.0W	2	340
990mm	14.0W	19.9W	27.8W	2	340
1160mm	16.2W	23.2W	33.5W	3	340 340
1330mm	18.5W	26.5W	37.0W	3	340 340
1500mm	20.8W	29.8W	43.0W	4	340 340 340
1670mm	23.2W	34.0W	47.3W	4	340 340 340
1840mm	25.5W	37.4W	52.0W	4	340 510 340