

PRODUCT DESCRIPTION

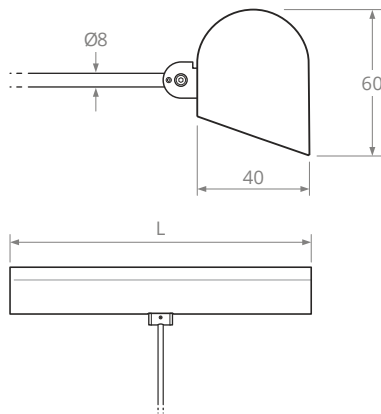
DESCRIPTION	LED PICTURE LIGHT - CLASSIC STYLE
CATEGORY	IP20 - FOR INDOOR USE ONLY
MATERIAL	ALUMINIUM
FINISH	WHITE BLACK GOLD PLATED FINISHES
DIMMING	1-10V DALI PHASE LOCAL DIM
POWER SUPPLY	REMOTE CONSTANT CURRENT
ACCESSORIES	INTEGRAL ANTI-GLARE LOUVRE
ROTATION	60° TILT

LIGHT ENGINE

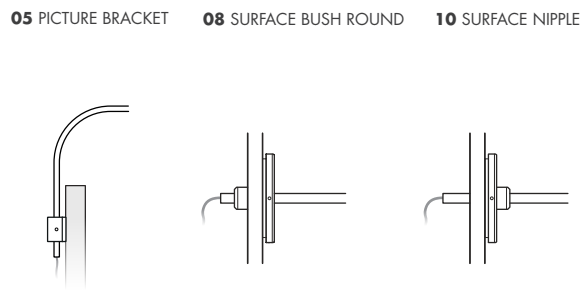
POWER OUTPUT	DETAILED PER FIXING LENGTH (700mA)
POWER TYPE	350mA – 700mA CONSTANT CURRENT
LAMP LUMENS	81lm/W at 2700K
COLOUR RENDERING	CRI 97 Typ.
COLOUR TEMP.	2700K (std.) 3000K 4000K (on request)
BEAM DISTRIBUTION	PICTURE LIGHT WASH
LAMP LIFE	50,000hours - LM70



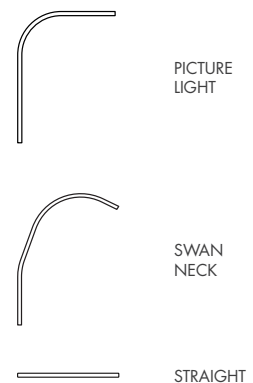
DIMENSIONS



ARM MOUNTING OPTIONS



ARM TYPE



PRODUCT CODE 350.XXX.XX.XX.X.X.XX

LUMINAIRE TYPE	LENGTH (L)	FINISH	COLOUR TEMP	ARM LENGTH	ARM TYPE	MOUNTING	REMOTE DRIVER
350. TM CLASSIC	010. 100mm (2.3W)	01. WHITE 9010	27. 2700K (std.)	1.150mm	1. PICTURE LIGHT	05. PICTURE BRACKET	+ 1-10V
	025. 250mm (4.5W)	02. BLACK 9005	30. 3000K	2. 200mm	2. SWAN NECK	06. JOINERY BUSH	+ DALI
	040. 400mm (6.7W)	04. GOLD P/C	40. 4000K (custom)	3. 250mm	3. STRAIGHT	08. SURFACE BUSH ROUND	+ PHASE
	055. 550mm (9.0W)	05. ANTIQUE BRONZE		4. 300mm	C. CUSTOM	10. SURFACE NIPPLE	
	070. 700mm (11.2W)	06. BRONZE P/C		5. 350mm			
	085. 850mm (13.5W)	07. ANTIQUE BRASS		6. 400mm			
	100. 1000mm (15.7W)	CU. CUSTOM		7. 450mm			
	115. 1150mm (17.9W)						
	130. 1300mm (20.2W)						
	145. 1450mm (22.4W)						

ARM CONFIGURATION

HEAD TYPE - Based on canvas width (w)

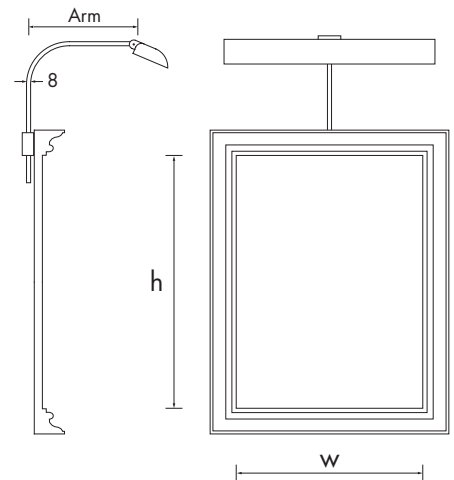
TYPE	CANVAS WIDTH	HEAD LENGTH	ARMS
1	Up to 250	100	1
2	250 - 450	250	1
3	450 - 600	400	1
4	600 - 750	550	1
5	750 - 900	700	1
6	900 - 1100	850	2
7	1050 - 1200	1000	2
8	1200 - 1350	1150	2
9	1350 - 1500	1300	3
10	1500 - 1700	1450	3

Dimensions in mm

ARM TYPE - Based on canvas height (h)

TYPE	CANVAS HEIGHT	ARM
1	Up to 500	150
2	500 - 800	200
3	800 - 1200	250
4	1200 - 1600	300
5	1600 - 2000	350
6	2000 - 2500	400
7	2500 - 3000	450
8	3000	500

Dimensions in mm



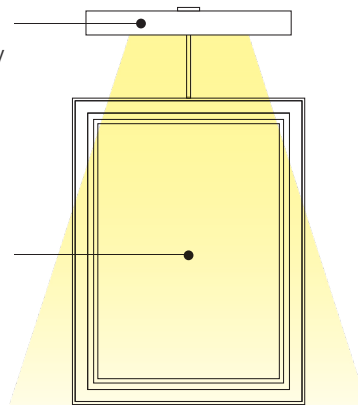
PRODUCT OVERVIEW

TYPICAL ENERGY SAVINGS

1W - 22W CONSUMPTION Vs 30W - 150W

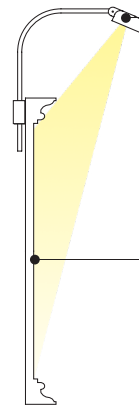
EXCELLENT LIGHT DISTRIBUTION

3:1 RATIO, ADJUSTABLE, DIMMABLE



BRITISH DESIGN

MINIMAL PROFILE
VARIETY OF LENGTHS + FINISHES



ARTWORK CONSERVATION

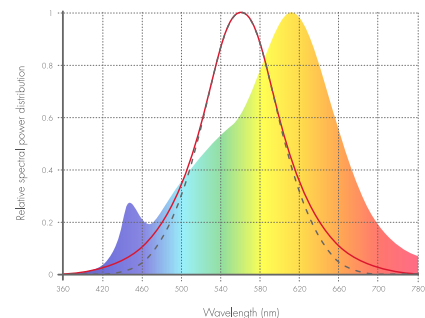
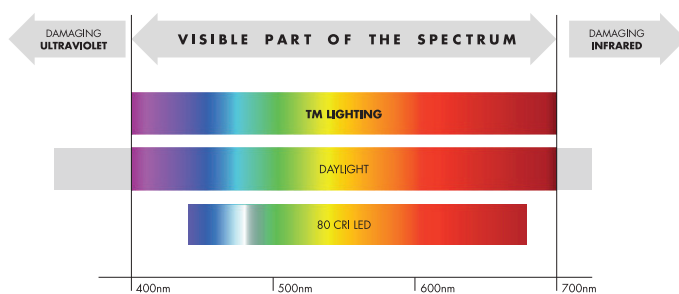
NO UV, IR OR FORWARD HEAT

COLOUR RENDERING

Typical R values for 2700K at 700mA. 25°C ambient

R1	R2	R3	R4	R5	R6	R7	R8	R9	R10	R11	R12	R13	R14	R15	Ra
97	98	97	97	97	96	98	98	97	98	95	91	97	97	98	98

RELATIVE SPECTRAL EMISSION



WIDTH (X)	TYPICAL POWER (350mA/700mA)	TYPICAL WIEGHT FOR STANDARD ASSEMBLY (Kg)	fV
100mm	1.2 / 2.3 W	0.4 Kg	3.3 fV
250mm	2.3 / 4.6 W	0.5 Kg	6.6 fV
400mm	3.5 / 6.9 W	0.6 Kg	9.9 fV
550mm	4.6 / 9.2 W	0.8 Kg	13.2 fV
700mm	5.8 / 11.6 W	1.1 Kg	16.5 fV
850mm	6.9 / 13.9 W	1.4 Kg	19.8 fV
1000mm	8.1 / 16.2 W	1.6 Kg	23.1 fV
1150mm	9.2 / 18.5 W	1.7 Kg	26.4 fV
1300mm	10.4 / 20.8 W	1.8 Kg	29.7 fV
1450mm	11.6 / 23.1 W	2.0 Kg	33 fV

